

# Wireless Speaker System

Operating Instructions  
Mode d'emploi



## English Wireless Speaker System

Before operating the system, please read this guide thoroughly and retain it for future reference.

### WARNING

To reduce the risk of fire or electrical shock, do not open the cabinet. Refer servicing to qualified personnel only.

To reduce the risk of fire, do not cover the ventilation opening of the apparatus with newspapers, tablecloths, curtains, etc. Do not place the naked flame sources such as lighted candles on the apparatus.

To reduce the risk of fire or electric shock, do not expose this apparatus to dripping or splashing, and do not place objects filled with liquids, such as vases, on the apparatus.

Do not install the appliance in a confined space, such as a bookcase or built-in cabinet.

As the main plug of the AC adaptor is used to disconnect the AC adaptor from the mains, connect the system to an easily accessible AC outlet. Should you notice an abnormality in the system, disconnect the main plug from AC outlet immediately.

The system is not disconnected from the mains as long as it is connected to the AC outlet, even if the system itself has been turned off.

**On Copyrights and Licenses**  
The Bluetooth® word mark and logos are owned by the Bluetooth SIG, Inc. and any use of such marks by Sony Corporation is under license.  
The N Mark is a trademark or registered trademark of NFC Forum, Inc. in the United States and in other countries.  
Android is a trademark of Google Inc.  
Other trademarks and trade names are those of their respective owners.

### CAUTION

You are cautioned that any changes or modifications not expressly approved in this manual could void your authority to operate this equipment.

### Precautions

#### Notes when using with a mobile phone

- For details on operation of your mobile phone when receiving a telephone call while transmitting the sound using the Bluetooth connection, refer to the operating instructions supplied with the mobile phone.

#### On safety

The nameplate indicating Sony trademark, model number and electrical rating is located on the bottom exterior of this system and on the surface of the AC adaptor.

#### Notes on the AC adaptor

- When connecting or disconnecting the AC adaptor, turn off the system beforehand. Otherwise, it may cause malfunction.
- Use only the supplied AC adaptor. To avoid damaging the system, do not use any other AC adaptor.



Polarity of the plug

- Plug the AC adaptor into a nearby wall outlet (mains). In the case of a problem, unplug it from the wall outlet (mains) immediately.
- Do not install the AC adaptor in a confined space, such as a bookcase or built-in cabinet.
- To reduce the risk of fire or electric shock, do not expose the AC adaptor to dripping or splashing, and do not place objects filled with liquids, such as vases, on the AC adaptor.

#### On placement

- Do not set the speaker in an inclined position.
- Do not leave the system in a location near heat sources, or in a place subject to direct sunlight, excessive dust, moisture, rain or mechanical shock.
- Do not expose the battery to excessive heat such as direct sunlight, fire or the like.

#### On operation

- Do not insert any small objects, etc., into the jacks. The system may short out or malfunction.

#### On cleaning

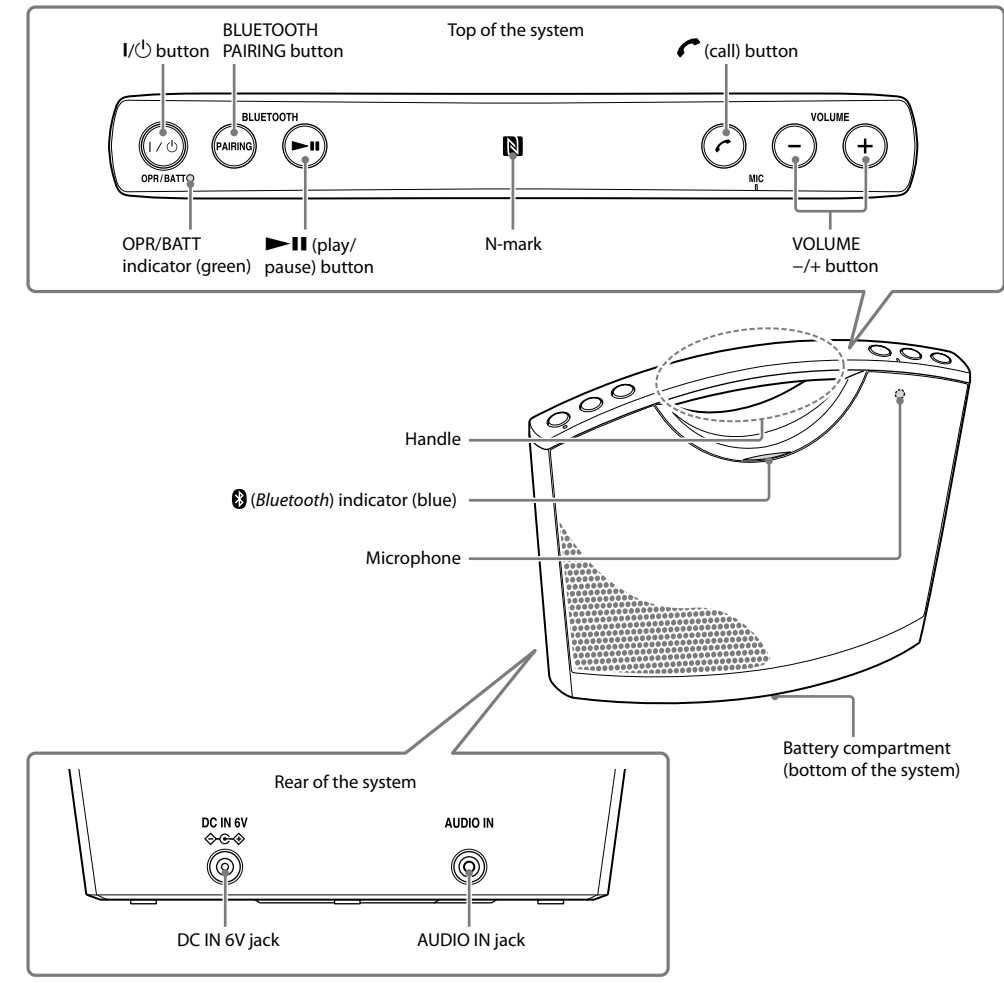
- Do not use alcohol, benzine, or thinner to clean the cabinet.

#### Others

- If you have any questions or problems concerning this system that are not covered in this manual, please consult your nearest Sony dealer.

## Specifications

<b>Speaker section</b>	
Speaker system	50 mm
Enclosure type	Bass reflex
<b>Amplifier section</b>	
Reference output power	2 W × 2 (10% THD, 1 kHz, 6 Ω)
Input	Stereo mini jack × 1
<b>Bluetooth</b>	
Communication System	Bluetooth Specification version 3.0
Output	Bluetooth Specification Power Class 2
Maximum communication range	Line of sight approx. 10 m*
Frequency band	2.4 GHz band (2.4000 GHz - 2.4835 GHz)
Modulation method	FHSS
Compatible Bluetooth Profiles†	A2DP (Advanced Audio Distribution Profile) AVRCP (Audio Video Remote Control Profile) HSP (Headset Profile) HFP (Hands-free Profile)
Supported Codecs‡	SBC**
Transmission range (A2DP)	20 Hz - 20,000 Hz (Sampling frequency 44.1 kHz)
* The actual range will vary depending on factors such as obstacles between devices, magnetic fields around a microwave oven, static electricity, reception sensitivity, aerial's performance, operating system, software application, etc.	
† Bluetooth standard profiles indicate the purpose of Bluetooth communication between devices.	
‡ Codecs: Audio signal compression and conversion format	
** Subband Codec	
<b>Microphone</b>	
Type	Electret condenser
Direction characteristic:	Omnidirectional
Effective frequency range:	200 Hz - 3,600 Hz
Operating temperature:	0 °C to 45 °C
<b>General</b>	
Power	DC 6 V (when using the supplied AC adaptor connected to AC 230 V, 50 Hz power supply) or 4 alkaline LR6 (size AA) batteries
Rated power consumption	6 W (when using the supplied AC adaptor) Approx. 0.2 W (in standby mode when using the supplied AC adaptor)
Battery life (when using the Bluetooth connection)	Sony alkaline battery LR6 (size AA): approx. 20 hours** Sony nickel metal hydride rechargeable battery NHAAB2K (size AA): approx. 20 hours**
Dimensions	Approximately 245 mm × 185 mm × 88 mm (W/H/D)
Mass	Approximately 1,060 g including batteries
Supplied accessories:	AC adaptor (1) Operating Instructions (this document) (1) Safety information
** Time may vary, depending on the temperature or conditions of use.	
Design and specifications are subject to change without notice.	



## Function of Parts

<b>I/O button</b> Turns the system on/off.	<b>(Bluetooth) indicator (blue)</b> Lights up or flashes depending on the communication status. For details, see the following section, "Indications of the Bluetooth function".
<b>OPR/BATT indicator (green)</b> Lights up when the system is turned on. Dims during battery operation if battery power is low.	<b>Microphone</b> Use during call.
<b>BLUETOOTH PAIRING button</b> Press to pair with a Bluetooth device.	<b>AUDIO IN jack</b> Connects to the headphone jack of a portable audio device, computer, etc., using a connecting cord (not supplied).
<b>play/pause button</b> Operates a connected Bluetooth device. You cannot operate a device connected to the AUDIO IN jack.	<b>DC IN 6V jack</b> Connects the supplied AC adaptor.
<b>N mark</b> Touch to make Bluetooth connection with an NFC compatible smartphone.	<b>Battery compartment</b> Insert four alkaline LR6 (size AA) batteries (not supplied).
<b>(call) button</b> Press to call or operate during a call.	<b>Indications of the Bluetooth function</b>
<b>VOLUME +/- button</b> Adjusts the volume. A beep sounds from the speakers when the volume is set to minimum or maximum.	<b>Status</b>
<b>Handle</b> Hold to carry the system.	<b>(Bluetooth) indicator (blue)</b>
	Pairing with a device Flashes quickly
	Searching for a device Flashes
	Connected to a device Lights up

## Turning the System on/off

- Connect the supplied AC adaptor.
- Press the I/O button.  
The OPR/BATT indicator (green) lights up.

### To use with LR6 (size AA) batteries (not supplied)

- Open the cover located on the bottom of the system and install four alkaline LR6 (size AA) batteries (not supplied), then close the cover.
- Press the I/O button.

## How to Make Wireless Connection with Bluetooth Devices

You can enjoy music and hands-free calling with the system wirelessly by using your device's Bluetooth function. Choose one of the following three connection methods, best suited for the Bluetooth device. For details on how to operate your device, refer to the operating instructions supplied with the device.

- Pairing with a Bluetooth device: see (Pattern A)**  
Bluetooth devices need to be "paired" with each other beforehand.
- Connecting with a paired device: see (Pattern B)**  
To listen to music with a Bluetooth device that has been paired, see this pattern.
- One touch connection with a smartphone (NFC): see (Pattern C)**  
Using an NFC compatible smartphone, you can establish a Bluetooth connection by just touching the system with it.

Check the following before operating the system.

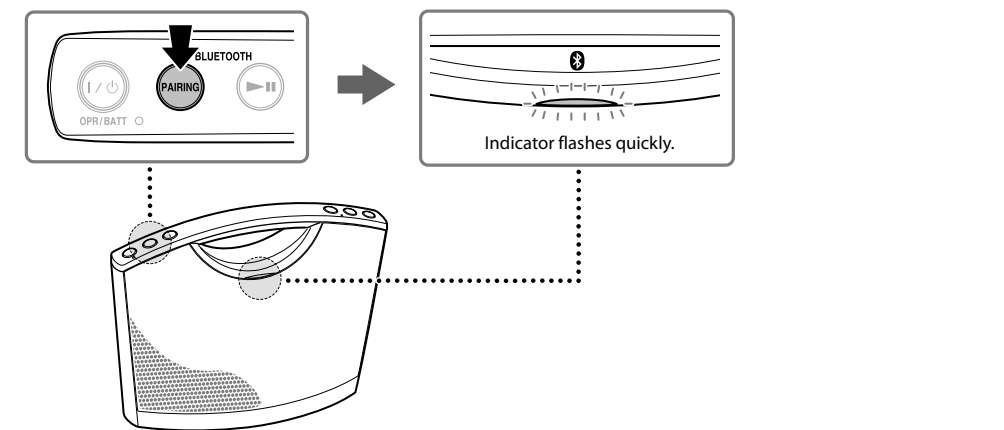
- Both the system and the device are placed within 1 m of each other.
- The system is connected to a power source, or batteries are installed in the system.
- The operating instructions supplied with the device are kept at hand.

### (Pattern A) Pairing and connecting with a Bluetooth device

- Turn on the system.
- Set the Bluetooth function of the Bluetooth device to on. For details, refer to the operating instructions supplied with the device.
- Press and hold the BLUETOOTH PAIRING button on the system until beeps are heard and the (Bluetooth) indicator (blue) begins to flash quickly.

**Tip**

- When the system is turned on first, the (Bluetooth) indicator (blue) starts flashing quickly.



- Perform the pairing procedure on the Bluetooth device to detect the system. If "SRS-BT8B" does not appear on the device's display, repeat from step 2.
- Some devices cannot display a list of detected devices.
- Select "SRS-BT8B" shown in the display of the Bluetooth device.
- If Passcode\* input is required on the display of the Bluetooth device, input "0000". The Bluetooth connection is established and the (Bluetooth) indicator (blue) on the system stays on.  
\* Passcode may be called "Passkey," "PIN code," "PIN number," or "Password."

- Tip**
- To pair with other Bluetooth devices, repeat steps 2 to 6 for each device.
- Notes**
- Pairing mode of the system is cancelled after about 5 minutes, and the (Bluetooth) indicator (blue) flashes slowly. If the pairing mode is cancelled while performing this procedure, start over from step 3.
  - Passcode of the system is fixed as "0000". The system cannot be paired with a Bluetooth device whose Passcode is not "0000."
  - Once Bluetooth devices are paired, there is no need to pair those devices again. However, in the following cases, you will need to perform the pairing procedure again.
    - Pairing information is deleted after repair, etc.
    - The system is paired with 5 or more devices.
  - The system can be paired with up to 4 Bluetooth devices. If a new device is paired after 4 devices have been paired, the device whose latest connection time is the oldest among the 4 paired devices is replaced by the new one.
  - More than one device can be paired with the system, but sound will be heard from just one of those devices.

**To delete all pairing information from the system**  
Hold the I/O button for more than 15 seconds while the system is turned off. The system is reset to its default and all pairing information is deleted.

### (Pattern B) Connecting with a paired Bluetooth device

- Turn on the system.  
The (Bluetooth) indicator (blue) flashes.
  - Set the Bluetooth function of the Bluetooth device to on.  
**Tip**
    - When turned on, the system tries to establish Bluetooth connection with the Bluetooth device connected to the system last time. When Bluetooth connection is established, the (Bluetooth) indicator (blue) on the system stays on.
  - Select "SRS-BT8B" shown in the display of the Bluetooth device.  
If necessary, select a Bluetooth profile that the system supports from the following: A2DP, HSP or HFP. For details on each profile, see "Listening to Music" or "Using Hands-free Calling While Listening to Music".
- Note**
- This step may not be necessary for some devices.
- The Bluetooth connection is established and the (Bluetooth) indicator (blue) on the system stays on.

### (Pattern C) Connecting with a smartphone by One touch (NFC)

By just touching the system with an NFC compatible smartphone, the system is turned on automatically and then paired and connected with the smartphone.

- Download and install the app "NFC Easy Connect" on the smartphone.  
"NFC Easy Connect" is an original app by Sony for Android phones, and is available at Google Play Store.  
Search for "NFC Easy Connect" or scan the following two-dimensional code to download and install the free app. Communication fees are required to download the app.  
The App may not be available in some countries and/or regions.  
By the two-dimensional code:  
Use a two-dimensional code reader app.

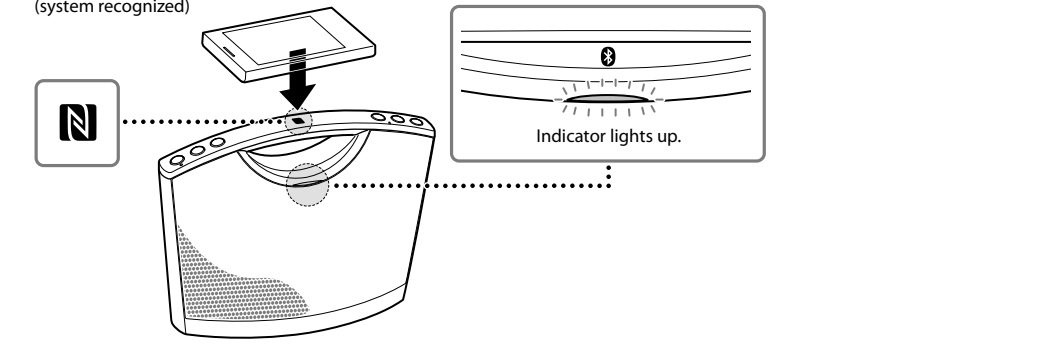


**Compatible smartphones**

- Smartphones with the NFC function built-in (OS: Android 2.3.3 or later, excluding Android 3.x)  
Customers in Europe  
Access the following Web site for details:  
<http://support.sony-europe.com>

**About NFC**  
NFC (Near Field Communication) is a technology enabling short-range wireless communication between various devices, such as mobile phones and IC tags. Thanks to the NFC function, data communication can be achieved easily just by touching the relevant symbol or designated location on NFC compatible devices.

- Start the app "NFC Easy Connect" on the smartphone.  
Make sure that the application screen is displayed.
- Touch the system with the smartphone.  
Keep touching the smartphone on the N marked part of the system until the smartphone vibrates.  
Smartphone vibrates (system recognized).



Follow the on-screen instructions to establish the connection.  
When the Bluetooth connection is established, the (Bluetooth) indicator (blue) stays on.

- Tips**
- If it is difficult to establish the connection, try the following.
    - Activate the app "NFC Easy Connect" and move the smartphone slightly on the N marked part of the system.
    - If the smartphone is in a case, remove it.
    - Touch the system with the smartphone again to disconnect.
    - If you have multiple NFC compatible smartphones, you can operate a Bluetooth device to switch the connection to that device. For example, when your smartphone is connected with NFC compatible headphones, just touch the smartphone to the system to change the Bluetooth connection to the system (One touch connection switching).

## Listening to Music

You can enjoy listening to music and basic remote control operation of a Bluetooth device via Bluetooth connection. The Bluetooth device is required to support the following Bluetooth profiles.

- A2DP (Advanced Audio Distribution Profile): enables you to enjoy high-quality audio content wirelessly.
- AVRCP (Audio Video Remote Control Profile): enables you to enjoy basic remote control operation (play, stop, etc.) of a Bluetooth device.



Operations may vary depending on the Bluetooth device. Refer also to the operating instructions supplied with your Bluetooth device.

- Make the Bluetooth connection between the system and the device.  
For details on the Bluetooth connection procedure, see "How to Make Wireless Connection with Bluetooth Devices." When the Bluetooth connection is established, the (Bluetooth) indicator (blue) on the system stays on.
- Start playback on the Bluetooth device, then adjust the volume.  
Set the volume of the Bluetooth device to a moderate level, and press the VOLUME +/- buttons on the system.  
Pressing play/pause button on the system, you can operate a Bluetooth device that supports AVRCP. Available functions may vary depending on the Bluetooth device. Refer to the operating instructions supplied with the Bluetooth device.

### After use

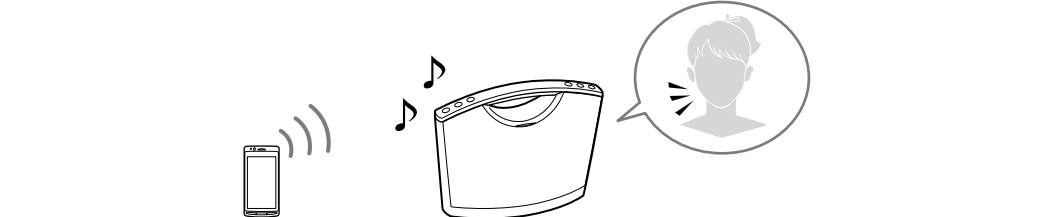
- Do any of the following.
- Set the Bluetooth function of the Bluetooth device to off. For details, refer to the operating instructions supplied with the device.
  - Turn off the Bluetooth device.
  - Turn off the system.
  - Touch the system with the smartphone again to disconnect (NFC compatible smartphones only).

**Tip**

- When connected with a Bluetooth device via A2DP/AVRCP and playback has been stopped for about 20 minutes, the system turns off automatically.

## Using Hands-free Calling While Listening to Music

You can enjoy hands-free calling via Bluetooth connection with a Bluetooth mobile phone that has a music function and supports the Bluetooth profile A2DP (Advanced Audio Distribution Profile), and HFP (Hands-free Profile) or HSP (Headset Profile). If your Bluetooth mobile phone supports both HFP and HSP, set to HFP.



Operations may vary depending on the Bluetooth mobile phone. Refer also to the operating instructions supplied with your mobile phone.

- Make the Bluetooth connection between the system and the mobile phone.  
For details on the Bluetooth connection procedure, see "How to Make Wireless Connection with Bluetooth Devices." When the Bluetooth connection is established, the (Bluetooth) indicator (blue) on the system stays on.
- Start playback on the Bluetooth mobile phone, then adjust the volume.  
Set the volume of the Bluetooth mobile phone to a moderate level, and press the VOLUME +/- buttons on the system. By pressing the play/pause button on the system, you can operate a Bluetooth mobile phone that supports AVRCP. Available functions may vary depending on the Bluetooth mobile phone. Refer to the operating instructions supplied with the Bluetooth mobile phone.

### To call

Operate the Bluetooth mobile phone. Check that a dialing tone is heard on the system and talk using the microphone. If no dialing tone is heard, press the (call) button on the system for about 2 seconds to change the call device to the system.

### To receive a call

When an incoming call arrives, the playback pauses and a ring tone is heard from the system. Press the (call) button on the system and talk using the microphone.

- Tips**
- If no ring tone is heard from the system when incoming call arrives, stop playback and press the (call) button to talk.
  - Press once to cancel outgoing call.
  - During a call, press the VOLUME +/- buttons on the system to adjust the volume. The volume of a call and that of a playback are set separately.
- Note**
- When using a mobile phone, keep it 50 cm or more away from the system. If they are too close together, noise may be heard.

### To end a call

Press the (call) button. If you were listening to music when the call arrived, it will be resumed when the call has finished.

### After use

- Do any of the following.
- Set the Bluetooth function of the Bluetooth device to off. For details, refer to the operating instructions supplied with the device.
  - Turn off the Bluetooth device.
  - Turn off the system.
  - Touch the system with the smartphone again to disconnect (NFC compatible smartphones only).

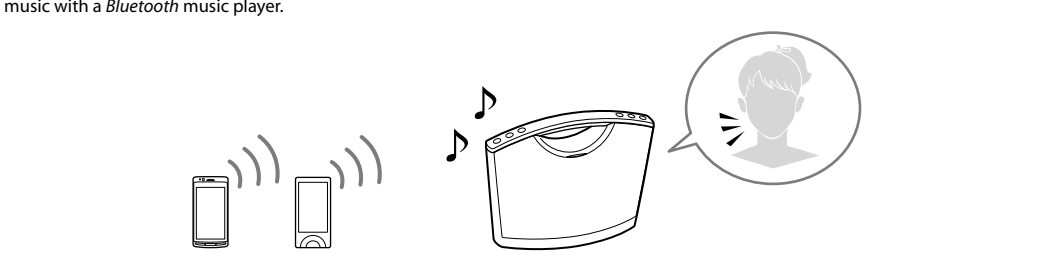
### Unit button functions during a call

Available functions may vary depending on the Bluetooth mobile phone, or the profiles supported by the Bluetooth mobile phone. Refer to the operating instructions supplied with the Bluetooth mobile phone.

Status	(call) button
Standby	<ul style="list-style-type: none"> <li>Press once to start voice dial (voice dial compatible mobile phones only).</li> <li>Press for about 2 seconds to redial the phone number that is dialed last time.</li> </ul>
Outgoing call	<ul style="list-style-type: none"> <li>Press once to cancel outgoing call.</li> <li>Press for about 2 seconds to change call device between the system and mobile phone.</li> <li>Press for about 2 seconds to reject call.</li> </ul>
Incoming call	<ul style="list-style-type: none"> <li>Press once to answer call.</li> <li>Press for about 2 seconds to reject call.</li> </ul>
During call	<ul style="list-style-type: none"> <li>Press once to finish call.</li> <li>Press for about 2 seconds to change call device between the system and mobile phone.</li> </ul>

### Using Hands-free Calling with Another Bluetooth Mobile Phone While Listening to Music

This system supports Multipoint technology. You can enjoy hands-free calling with another Bluetooth mobile phone while listening to music with a Bluetooth music player.



- One touch connection (NFC) cannot be used in this procedure.
- Operations may vary depending on the Bluetooth device. This type of Bluetooth connection may not be established depending on the combination of the Bluetooth devices. Refer also to the operating instructions supplied with your Bluetooth devices.

- Make the Bluetooth connections between the system and a Bluetooth music player via A2DP, and between the system and a Bluetooth mobile phone via HFP or HSP.  
For details on the Bluetooth connection procedure, see "How to Make Wireless Connection with Bluetooth Devices." When the Bluetooth connection is established, the (Bluetooth) indicator (blue) on the system stays on.

- Tips**
- To use only the calling function of a Bluetooth mobile phone that also has a music function, establish Bluetooth connection between the system and the mobile phone via HFP or HSP, not via A2DP.
  - Depending on the Bluetooth mobile phone, while the Bluetooth connection is established via HFP or HSP, the other Bluetooth connection via A2DP may also be occupied by the same Bluetooth mobile phone. A Bluetooth music player cannot be connected with this system in this case.
- Note**
- To make the same connection with the same devices after turning the system off, follow this procedure again.

## Listening to Music by Wired Connection with a Portable Audio Device, etc.

- Connect the device to the system.
  - Turn on the system.
  - Start playback on the connected device, then adjust the volume.  
Set the volume of the connected device to a moderate level, and press the VOLUME +/- buttons on the system.
- Notes**
- When connecting cord (not supplied) is used with this system, the source device switches to the one connected by the cord automatically, even if you are listening to music via the Bluetooth connection.
  - You cannot listen to music via the Bluetooth connection while a connecting cord (not supplied) is used with this system. After use, disconnect it.
- Tips**
- You can use hands-free calling while a connecting cord (not supplied) is used with this system.
  - When connected with a source device via a connecting cord (not supplied), not via a Bluetooth connection, and playback has been stopped for about 20 minutes, the system turns off automatically.

## Troubleshooting

	Check that both this system and the connected device are turned on.		If you are connecting a personal computer to the system, make sure the audio output setting of the computer is set for a Bluetooth device.
	Turn up the volume of the system and the connected device.		Pair this system and the Bluetooth device again.
	Check that the connected device is being played back.		If the connected device is monaural, sound will only be output from the left speaker.
	Check that both plugs of the connecting cord (not supplied) are firmly inserted into the system and the connected device.		
	Turn down the volume of the connected device.		Switch the Bluetooth connection to A2DP by operating the Bluetooth device when HFP or HSP is set.
	If the connected device, set to off, has an equalizer function, set it to off.		If the OPR/BATT indicator (green) is dim, replace all the batteries with new ones.
	Keep the system away from a microwave oven, wireless LAN, etc.		If you connect a device with a built-in radio or tuner to this system, broadcasts may not be received, or sensitivity may be reduced. Locate the system farther away from the device and check that you can listen to the broadcasts satisfactorily.
	Bring this system and the Bluetooth device closer together. Remove any obstacle between this system and the Bluetooth device.		
			If the (Bluetooth) indicator (blue) is not flashing quickly, press and hold the BLUETOOTH PAIRING button on the system until beeps are heard.
	Bring the Bluetooth device to within 1 m of each other.		

## No voice / Low voice from recipient

	Check that both this system and the connected device are turned on.		Select HFP or HSP Bluetooth connection by operating the Bluetooth device.
	Check that output of the Bluetooth mobile phone is set for the system.		Turn up the volume of the system and the connected device.
	Keep the smartphone close to the system until the smartphone vibrates. If you fail, move the smartphone slightly on the N marked part of the system.		If the smartphone is in a case, remove it.
			NFC receiving sensitivity depends on the device. If you fail to connect with a smartphone by One touch several times, connect to the system by on-screen operation.



Français	Encéinte sans fil
----------	-------------------

Avant d'utiliser le système, lisez attentivement ce guide et conservez-le afin de pouvoir le consulter ultérieurement.

## AVERTISSEMENT

Pour réduire les risques d'incendie ou d'électrocution, n'ouvrez pas le coffret. Ne confiez les réparations qu'à un technicien qualifié.

Pour réduire les risques d'incendie, ne couvrez pas les orifices de ventilation de l'appareil avec des journaux, magazines, rideaux, etc. Ne placez pas de sources de flammes nues, telles que des bougies allumées, sur l'appareil.

Pour réduire les risques d'incendie ou d'électrocution, n'exposez pas cet appareil à des gouttes ou des éclaboussures et ne placez pas d'objets remplis de liquides, tels que des vasos sur l'appareil.

N'installez pas l'appareil dans un espace restreint, comme une bibliothèque ou un meuble encastré.

Comme la fiche principale de l'adaptateur secteur sert à le débrancher du secteur, raccordez le système à une prise secteur facilement accessible. Si vous observez une anomalie, débranchez immédiatement le système de la prise secteur.

Le système est toujours connecté à la source d'alimentation secteur tant qu'il reste branché sur la prise murale, même s'il est lui-même éteint.

**À propos des droits d'auteur et des licences**

La marque *Bluetooth*<sup>®</sup> et les logos appartiennent à Bluetooth SIG, Inc. et doivent être utilisés par Sony Corporation uniquement sous licence. La marque *EQ* est une marque commerciale ou une marque commerciale déposée de NFC Forum, Inc., aux États-Unis et dans d'autres pays.

Android est une marque commerciale de Google Inc. Les autres marques commerciales et noms commerciaux appartiennent à leurs propriétaires respectifs.

### ATTENTION

N'oubliez pas que toute modification non expressément approuvée dans ce manuel peut annuler votre droit d'utilisation de cet équipement.

## Précautions

**Remarques lors de l'utilisation d'un téléphone mobile**

- Pour plus de détails sur le fonctionnement de votre téléphone mobile briquez vous recevez un appel et que vous transmettez des données audio à l'aide de la connexion *Bluetooth*, reportez-vous au mode d'emploi fourni avec votre téléphone mobile.

### Sécurité

La plaque signalétique indiquant la marque commerciale Sony, le numéro de modèle et les caractéristiques électriques se trouve sous le système, à l'extérieur et sur la surface de l'adaptateur secteur.

**Remarques sur l'adaptateur secteur**

- Lorsque vous raccordez ou débranchez l'adaptateur secteur, mettez d'abord le système hors tension. Sinon, vous risquez de provoquer un dysfonctionnement.
- Servez-vous uniquement de l'adaptateur secteur fourni. Pour éviter d'endommager le système, n'utilisez aucun autre adaptateur secteur.



Polarité de la fiche

- Branchez l'adaptateur secteur sur la prise murale la plus proche. En cas de dysfonctionnement, retirez immédiatement la fiche de la prise murale.
- N'installez pas l'adaptateur secteur dans un espace restreint, comme une bibliothèque ou un meuble encastré.
- Pour réduire les risques d'incendie ou d'électrocution, n'exposez pas l'adaptateur secteur à des gouttes ou des éclaboussures et ne placez pas d'objets remplis de liquides, tels que des vasos sur l'adaptateur secteur.

### Rangement

- N'installez pas l'enceinte en position inclinée.
- Ne placez pas le système à proximité d'une source de chaleur ou dans un endroit exposé aux rayons directs du soleil, à une poussière excessive ou à des chocs mécaniques et gardez-le à l'abri de l'humidité ainsi que de la pluie.
- N'exposez pas la pile à une chaleur excessive, notamment aux rayons directs du soleil, à une flamme, etc.

### Fonctionnement

- Minérez pas de petits objets, etc. dans les prises. Cela risquerait de provoquer un court-circuit ou un dysfonctionnement du système.

### Entretien

- Utilisez pas d'alcool, d'essence ou de diluant pour nettoyer le boîtier.

**Autres**

- Si vous avez des questions ou des problèmes concernant ce système, qui ne sont pas abordés dans ce mode d'emploi, contactez votre revendeur Sony le plus proche.

## Qu'est-ce que la technologie sans fil Bluetooth ?

La technologie *Bluetooth* est une technologie sans fil à courte portée permettant la communication de données sans fil entre des appareils numériques, tels qu'un ordinateur ou un appareil photo numérique. La technologie sans fil *Bluetooth* fonctionne dans un rayon d'environ 10 m.

La connexion de deux appareils est courante et certains appareils permettent également de se connecter simultanément à plusieurs périphériques.

Il est inutile d'utiliser un câble pour le raccordement et il n'est pas non plus nécessaire de diriger les appareils l'un vers l'autre, comme c'est le cas avec la technologie infrarouge. Par exemple, vous pouvez utiliser ce type d'appareil dans un sac ou une poche.

La technologie *Bluetooth* est une norme internationale prise en charge et utilisée par des milliers de sociétés dans le monde entier.

Comme la fiche principale de l'adaptateur secteur sert à le débrancher du secteur, raccordez le système à une prise secteur facilement accessible. Si vous observez une anomalie, débranchez immédiatement le système de la prise secteur.

Le système est toujours connecté à la source d'alimentation secteur tant qu'il reste branché sur la prise murale, même s'il est lui-même éteint.

**À propos des droits d'auteur et des licences**

La marque *Bluetooth*<sup>®</sup> et les logos appartiennent à Bluetooth SIG, Inc. et doivent être utilisés par Sony Corporation uniquement sous licence. La marque *EQ* est une marque commerciale ou une marque commerciale déposée de NFC Forum, Inc., aux États-Unis et dans d'autres pays.

Android est une marque commerciale de Google Inc. Les autres marques commerciales et noms commerciaux appartiennent à leurs propriétaires respectifs.

### Portée de communication maximale

Utilisez des périphériques *Bluetooth* à une portée de 10 m environ (en ligne directe) du système.

Dans les conditions suivantes, la plage de communication maximale peut être réduite.

- Un obstacle, par exemple une personne, un objet métallique ou un mur, se trouve entre le système et le périphérique *Bluetooth*.
- Un périphérique LAN sans fil est utilisé à proximité du système.
- Un four à micro-ondes est utilisé à proximité du système.
- Un appareil émettant des radiations électromagnétiques est mobile.

### Interférences provenant d'autres appareils

Étant donné que les périphériques *Bluetooth* et les périphériques LAN sans fil (IEEE802.11b/g) utilisent la même fréquence, des interférences en hyperfréquences peuvent survenir et entraîner une dégradation de la vitesse de communication, des parasites ou une connexion non valide si le système est utilisé à proximité d'un périphérique LAN sans fil. Dans ce cas, procédez comme suit.

- Utilisez le système à 10 m au moins du périphérique LAN sans fil.
- Si le système est utilisé dans un rayon de 10 m environ d'un périphérique LAN sans fil, mettez ce dernier hors tension.

### Interférences causées à d'autres appareils

Les émissions d'hyperfréquences d'un périphérique *Bluetooth* peuvent perturber le fonctionnement des appareils médicaux électroniques. Dans les emplacements suivants, mettez hors tension le système, ainsi que tout autre périphérique *Bluetooth*, au risque de provoquer un accident.

- endroits où du gaz inflammable est présent, dans un hôpital, un train, un avion ou une station essence.
- à proximité de ports automatiques ou d'alarmes incendie

### Remarques

- Pour pouvoir utiliser la fonction *Bluetooth*, le périphérique *Bluetooth* à connecter doit posséder un profil identique à celui du système. Notez également que même si les périphériques disposent du même profil, les fonctions qu'ils proposent peuvent varier selon leurs caractéristiques techniques.
- En raison des caractéristiques de la technologie sans fil *Bluetooth*, le son lu sur le système est légèrement décalé par rapport à celui lu sur le périphérique *Bluetooth* lors d'une conversation téléphonique ou lors de l'écoute de musique.
- Ce système prend en charge les capacités de sécurité conformes à la norme *Bluetooth* pour offrir une connexion sécurisée lors de l'utilisation de la technologie sans fil *Bluetooth*; cependant, la sécurité peut être insuffisante selon le réglage. Soyez prudent lorsque vous communiquez au moyen de la technologie sans fil *Bluetooth*.
- Nous ne pouvons être tenus responsables de la fuite d'informations lors d'une utilisation *Bluetooth*.
- Un périphérique doté de la fonction *Bluetooth* doit être conforme à la norme *Bluetooth* spécifiée par *Bluetooth SIG* et être authentifié. Même si le périphérique raccordez est conforme à la norme *Bluetooth* précédemment mentionnée, certains périphériques risquent de ne pas se connecter ou de ne pas fonctionner correctement, selon leurs caractéristiques ou spécifications.
- Selon le périphérique *Bluetooth* connecté au système, l'environnement de communication ou l'environnement d'utilisation, il se peut que le son saute ou s'accompagne de parasites.

## Spécifications

<b>Encéinte</b>	50 mm
Type de caisson	Bass Reflex

<b>Amplificateur</b>	
Puissance de sortie de référence	2 W + 2 W (10 % DHT, 1 kHz, 6 Ω)
Entrée	Mini-prise stéréo × 1

<b>Bluetooth</b>	
Système de communication	Spécification <i>Bluetooth</i> version 3.0
Sortie	Spécification <i>Bluetooth</i> Power Class 2
Portée de communication maximale	En ligne directe, environ 10 m**
Bande de fréquences	Bande des 2,4 GHz (2,4000 GHz - 2,4835 GHz)

Méthode de modulation	FHSS
Profils <i>Bluetooth</i> compatibles**	A2DP (Advanced Audio Distribution Profile) <p>AVRCP (Audio Video Remote Control Profile)</p> HSP (Headset Profile) HFP (Hands-free Profile)
Codec pris en charge**	SBC*

Plage de transmission (A2DP)
20 Hz - 20 000 Hz (fréquence d'échantillonnage de 44,1 kHz)

\* La portée réelle varie en fonction de nombreux facteurs, tels que la présence d'obstacles entre les périphériques, les champs magnétiques autour des fours à micro-ondes, l'électricité statique, la sensibilité de la réception, les performances de l'antenne, le système d'exploitation, le logiciel, etc.

\*\* Les profils standard *Bluetooth* indiquent la fonction des communications entre périphériques *Bluetooth*.

\*\* Codec : format de conversion et de compression du signal audio

\*\* Codec : bande secondaire

<b>Micr</b>	
Type :	Condensateur à électret
Caractéristiques directionnelles :	Omnidirectionnel

Plage de fréquences efficaces :
200 Hz - 3 600 Hz
Température de fonctionnement :
0 °C à 45 °C

### Généralités

Alimentation
6 V CC (Bors de l'utilisation de l'adaptateur secteur fourni raccorde à une source d'alimentation 230 V CA, 50 Hz) ou 4 piles alcalines LR6 (taille AA)

Consommation électrique (adaptateur secteur fourni)
Environ 0,2 W (en mode de veille lors de l'utilisation de l'adaptateur secteur fourni)

Autonomie des piles (lors de l'utilisation de la connexion *Bluetooth*)
Pile alcaline Sony LR6 (taille AA) : environ 20 heures\*\*

Pile rechargeable Ni-MH hydruure métallique Sony NHA452K (taille AA) : environ 20 heures\*\*

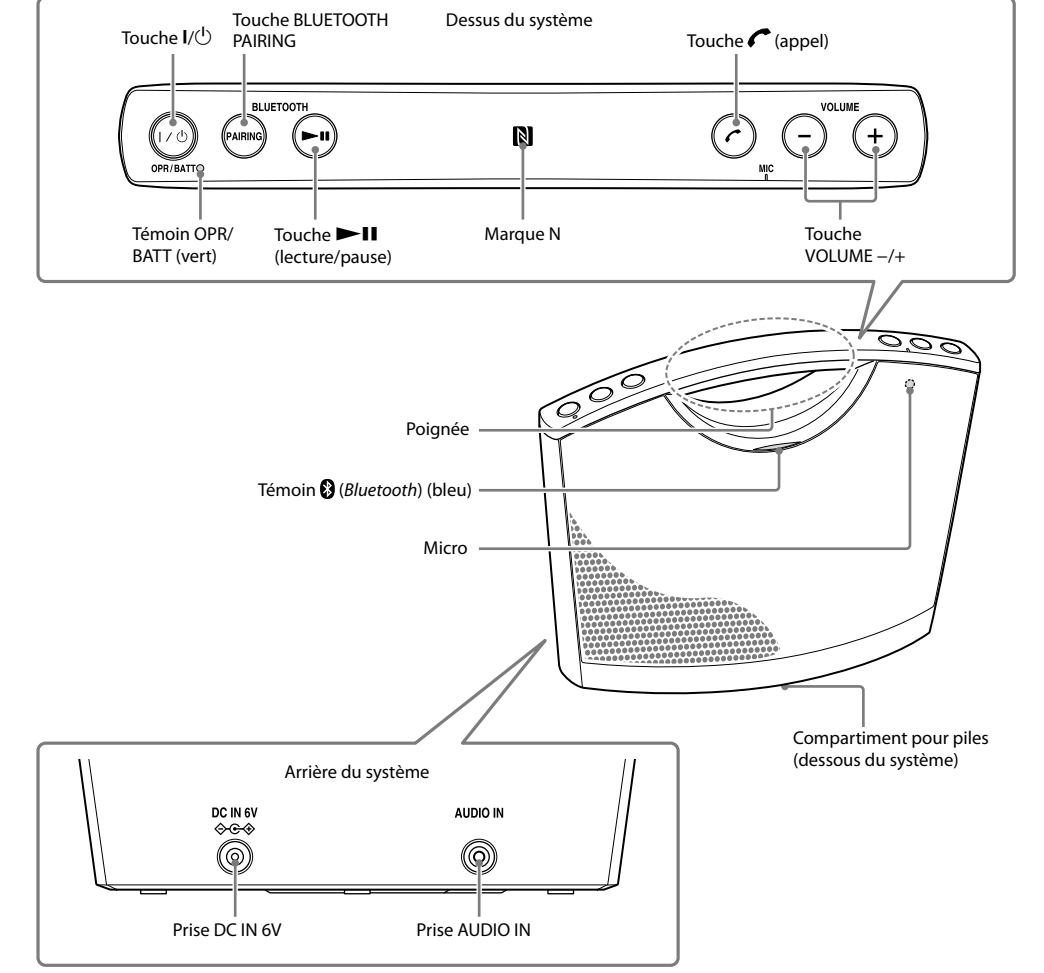
Dimensions
Environ 245 mm × 185 mm × 88 mm (l'hy)

Masse : environ 1 060 g, piles comprises

Accessoires fournis
Adaptateur secteur (1)
Mode d'emploi (le présent document) (1)
Consignes de sécurité

\*\* La durée peut varier en fonction de la température ou des conditions d'utilisation.

\* La conception et les caractéristiques techniques sont sujettes à modification sans préavis.



## Fonction des pièces

**Touche I/O**

Pour mettre le système sous/hors tension.

**Témoïn OPR/BATT (vert)**

S'illumine lorsque le système est sous tension. Baisse d'intensité lorsque le système est alimenté par des piles et que celles-ci sont faibles.

**Touche *Bluetooth* PAIRING**

Appuyez pour procéder au pairage avec un périphérique *Bluetooth*.

**Touche ►► (lecture/pause)**

Permet de faire fonctionner un périphérique *Bluetooth* connecté. Vous ne pouvez pas faire fonctionner un périphérique connecté à la prise AUDIO IN.

**Marque N**

Touchez cette marque pour établir la connexion *Bluetooth* avec un smartphone compatible NFC.

**Touche *Appel***

Appuyez pour appeler ou faire fonctionner en cours d'appel.

**Touche VOLUME +/-**

Pour régler le volume. Un bip sonore est émis par les enceintes lorsque le volume est réglé au minimum ou au maximum.

**Poignée**

Saisissez-la pour transporter le système.

**Témoïn *Bluetooth* (bleu)**

S'illumne ou clignote selon l'état de la communication. Pour plus de détails, reportez-vous à la section suivante, « Indications de la fonction *Bluetooth* ».

**Micr**

À utiliser en cours d'appel.

**Prise AUDIO IN**

Pour la connexion à la prise casque d'un périphérique audio portable, d'un ordinateur, etc. à l'aide d'un cordon de raccordement (non fourni).

**Prise DC IN 6V**

Pour le raccordement de l'adaptateur secteur fourni.

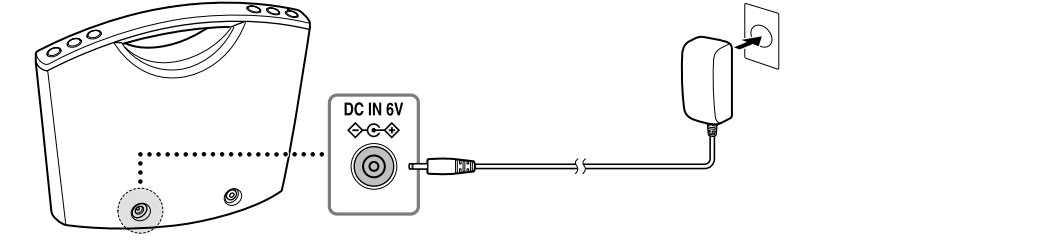
**Compartment pour piles**

Insérez quatre piles alcalines LR6 (taille AA) (non fournies).

<b>État</b>	<b>Témoïn <i>Bluetooth</i> (bleu)</b>
Pairage avec un périphérique	Clignote rapidement
Recherche d'un périphérique	Clignote
Connecté à un périphérique	S'illumne

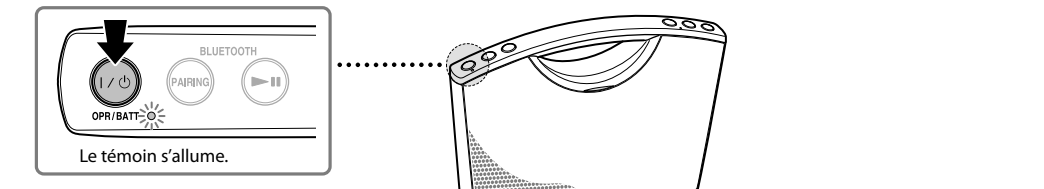
## Mise sous/hors tension du système

**1 Raccordez l'adaptateur secteur fourni.**



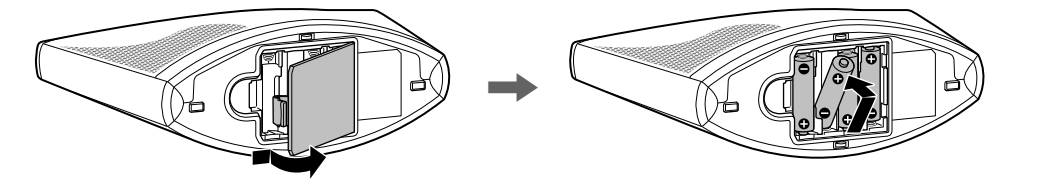
**2 Appuyez sur la touche I/O.**

Le témoin OPR/BATT (vert) s'allume.



**Pour une utilisation avec des piles LR6 (taille AA) (non fournies)**

**1** Ouvrez le couvercle situé sur le dessous du système et installez quatre piles alcalines LR6 (taille AA, non fournies), puis refermez le couvercle.



**2 Appuyez sur la touche I/O.**

**Remarque**

- Des que l'adaptateur secteur est branché, le système s'allume automatiquement sur le secteur, même si les piles sont en place. Lorsque l'adaptateur secteur est raccorde au système, celui-ci ne peut plus être alimenté par les piles en place. Assurez-vous que la fiche de l'adaptateur secteur est débranchée lorsque le système est alimenté sur piles.

## Comment établir une connexion sans fil avec des périphériques Bluetooth

Vous pouvez écouter de la musique et téléphoner en mode mains libres sans fil avec le système à l'aide de la fonction *Bluetooth* de votre périphérique.

Choisissez, parmi les trois méthodes de connexion suivantes, la mieux adaptée au périphérique *Bluetooth*. Pour plus de détails sur le fonctionnement de votre périphérique, reportez-vous au mode d'emploi qui l'accompagne.

**Pairage avec un périphérique *Bluetooth* : voir **Modèle A****

Il est nécessaire au préalable de procéder au « pairage » des périphériques *Bluetooth*.

**Connexion avec un périphérique paîré : voir **Modèle B****

Pour écouter de la musique avec un périphérique *Bluetooth* paîré, reportez-vous à ce modèle.

**Connexion One Touch avec un smartphone (NFC) : voir **Modèle C****

Vous pouvez établir une connexion *Bluetooth* en touchant simplement le système avec un smartphone compatible NFC.

Avant d'utiliser le système, vérifiez les points suivants.

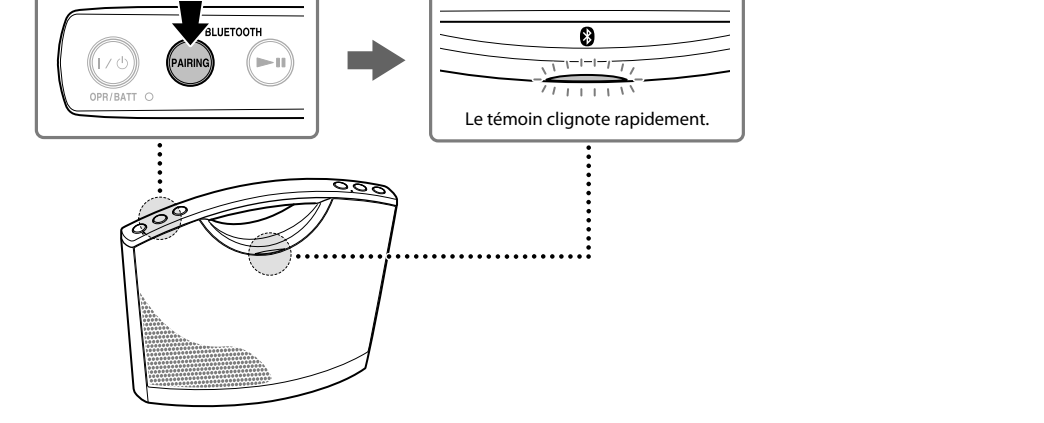
- Le système et le périphérique sont installés à moins de 1 m l'un de l'autre.
- Le système est raccorde à une source d'alimentation ou des piles sont installées dans le système.
- Vous avez à disposition le mode d'emploi fourni avec les périphères.

**Modèle A** **Pairage et connexion avec un périphérique *Bluetooth***

- Mettez le système sous tension.
- Activez la fonction *Bluetooth* du périphérique *Bluetooth*.
  - Pour plus de détails, reportez-vous au mode d'emploi fourni avec votre périphérique.
- Maintenez la touche BLUETOOTH PAIRING du système enfoncée jusqu'à ce que vous entendiez des bips sonores et que le témoin *Bluetooth* (bleu) se mette à clignoter rapidement.

### Conseil

- Lorsque le système est mis sous tension en premier, le témoin *Bluetooth* (bleu) commence à clignoter rapidement.



- Exécutez une procédure de pairage sur le périphérique *Bluetooth* pour que le système soit détecté.
  - Si « SRS-BTM8 » ne s'affiche pas sur l'écran du périphérique, recommencez à l'étape 2.

### Remarque

Les périphériques ne peuvent pas afficher la liste des périphériques détectés.

**5** Sélectionnez « SRS-BTM8 » sur l'écran du périphérique *Bluetooth*.

**6** Si un code d'authentification\* est requis, sur l'écran du périphérique *Bluetooth*, saisissez « 0000 ».

La connexion *Bluetooth* est établie et le témoin *Bluetooth* (bleu) du système reste fixe.

- Le code d'authentification peut également être nommé « clé d'authentification » << code PIN », « nombre PIN » ou « mot de passe ».

### Conseil

- Afin de procéder au pairage avec d'autres périphériques *Bluetooth*, répétez les étapes 2 à 6 pour chaque périphérique.

### Remarques

- Le mode de pairage du système est annulé après environ 5 minutes et le témoin *Bluetooth* (bleu) clignote lentement. Si le mode de pairage est annulé pendant l'exécution de cette procédure, recommencez à l'étape 3.
- Le code d'authentification défini pour ce système est « 0000 ». Vous ne pouvez pas procéder au pairage d'un périphérique *Bluetooth* dont le code d'authentification n'est pas « 0000 ».
- Une fois les périphériques *Bluetooth* paîrés, il n'est plus nécessaire de répéter cette opération. Cependant, dans les situations suivantes, la procédure de pairage doit être répétée.
  - Les informations de pairage ont été supprimées après une réparation, etc.
  - Le système est paîré avec 5 périphériques ou davantage.

Le système ne peut pas être paîré avec plus de 4 périphériques *Bluetooth*. En cas de pairage d'un nouveau périphérique et si la procédure de pairage a déjà été réalisée sur 4 périphériques, le périphérique dont la date de dernière connexion est la plus ancienne est remplacé par le nouveau.

- Plusieurs périphériques peuvent être paîrés avec le système, mais le son reproduit ne provient que d'un seul périphérique.

**Pour supprimer toutes les informations de pairage du système**

Maintenez la touche I/O enfoncée pendant plus de 15 secondes alors que le système est éteint. Les valeurs par défaut du système sont rétablis et toutes les informations de pairage sont supprimées.

**Modèle B** **Connexion avec un périphérique *Bluetooth* paîré**

- Mettez le système sous tension.
  - Le témoin *Bluetooth* (bleu) clignote.
- Activez la fonction *Bluetooth* du périphérique *Bluetooth*.

### Conseil

- Lorsqu'il est mis sous tension, le système essaie d'établir une connexion *Bluetooth* avec le dernier périphérique *Bluetooth* connecté au système. Lorsque la connexion *Bluetooth* est établie, le témoin *Bluetooth* (bleu) du système reste fixe.

**3** Sélectionnez « SRS-BTM8 » sur l'écran du périphérique *Bluetooth*.

Si nécessaire, sélectionnez un profil *Bluetooth* supporté par le système parmi les suivants : A2DP, HSP ou HFP. Pour plus de détails concernant chaque profil, reportez-vous à la section « Écoute de la musique » ou « téléphoner en mode mains libres tout en écoutant de la musique ».

### Remarque

- Cette étape n'est pas nécessaire pour tous les périphériques.

La connexion *Bluetooth* est établie et le témoin *Bluetooth* (bleu) du système reste fixe.

**Modèle C** **Connexion One Touch avec un smartphone (NFC)**

Le système est automatiquement mis sous tension en le touchant simplement avec un smartphone compatible NFC. Il est alors paîré et connecté et se met en marche.

**1** Téléchargez et installez l'application « Connexion NFC facile » sur le smartphone.

« Connexion NFC facile » est une application originale développée par Sony pour les téléphones Android ; elle est disponible sur Google Play Store.

Recherchez « Connexion NFC facile » ou scannez le code à deux dimensions suivant pour télécharger et installer l'application gratuite. Des frais de communication sont facturés pour le téléchargement de l'application.

Il est possible que l'application ne soit pas disponible dans certains pays et/ou dans certaines régions.

À proximité du code à deux dimensions : Utilisez une application de lecture de code à deux dimensions.



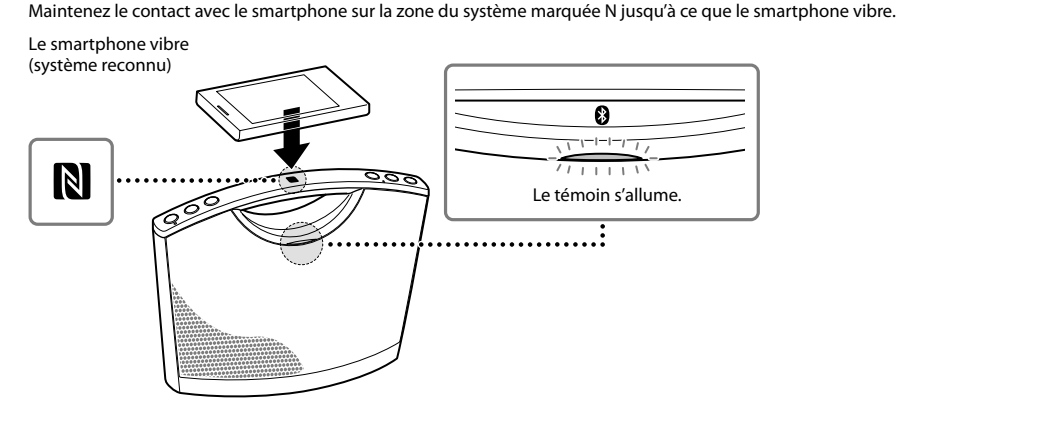
**Smartphones compatibles**

- Smartphones avec fonction NFC intégrée (OS : Android 2.3.3 ou version ultérieure, sauf Android 3.x)
  - Clients en Europe
- Consultez le site internet suivant pour plus de détails : http://support.sony-europe.com

**À propos de la NFC**
La NFC (Near Field Communication, communication en champ proche) est une technologie permettant d'établir une communication sans fil à courte portée entre différents périphériques, comme les téléphones portables et les étiquettes CI. Grâce à la fonction NFC, la communication des données peut être réalisée en touchant simplement le symbole correspondant ou la zone spécifiée sur les périphériques compatibles NFC.

**2** Lancez l'application « Connexion NFC facile » sur le smartphone. Assurez-vous que l'écran de l'application s'affiche.

**3** Touchez le système avec le smartphone. Maintenez le contact avec le smartphone sur la zone du système marquée N jusqu'à ce que le smartphone vibre.



Suivez les instructions affichées à l'écran afin d'établir la connexion. Lorsque la connexion *Bluetooth* est établie, le témoin *Bluetooth* (bleu) du système reste fixe.

### Conseils

- Si vous avez des difficultés à établir la connexion, essayez de procéder comme suit.
  - Activez l'application «